

ROD SYSTEMS

the display collection



Ceiling fitting



Cover cap



Rod



Bottom cover



Floor fitting



Rod systems



dynamic
strong
visual
statement
highest
quality

Rod systems to suit your design and budget

- 3mm rods support up to 60kg
- 6mm & 10mm rods can support up to 200kg
- Greater stability than the cable systems, with a dynamic yet elegant look
- Designed and manufactured to the highest possible standards of quality
- 5 year guarantee on all metal components
- Extensive range of components and accessories ensure complete design flexibility
- Ideal for vertical and horizontal presentations
- Easy to install with an installation service available if required
- Available in 3 standard finishes - satin chrome, polished chrome and brass. Special finishes are available on request



3mm rod - fitting options

Ceiling to floor fitting...

Screw fix to ceiling/floor

- designed for use where displays are not changed often or where there is plenty of access to change posters
- fittings screw directly into ceiling/floor
- supplied with **3m** long rod, threaded at both ends



Item Code:	Finish:	Price £:
RBCF3	Satin Chrome	12.50

Toggle fitting to fit into channel

- for fast, flexible installations, use this toggle option
- displays fitted into channel can be easily relocated to take different poster sizes
- faster to install on difficult ceilings
- supplied with **3m** long rod, threaded at both ends



Item Code:	Finish:	Price £:
RBTF3	Satin Chrome	13.00

Suspended rods - from wall or ceiling

Suspend from ceiling or wall with ball bearing fitting

- fitting available with or without toggle
- either screws directly into wall or ceiling or order fitting with toggle to fit into channel or freestanding units.
- ideal for display windows, close to the glass
- allows the display to be moved at an angle, giving access for window cleaning and changing displays
- highly practical fitting with end cap
- perfect for displays that are changed frequently

RB1 standard fitting



RBT1 with AT toggle for fixing into channel



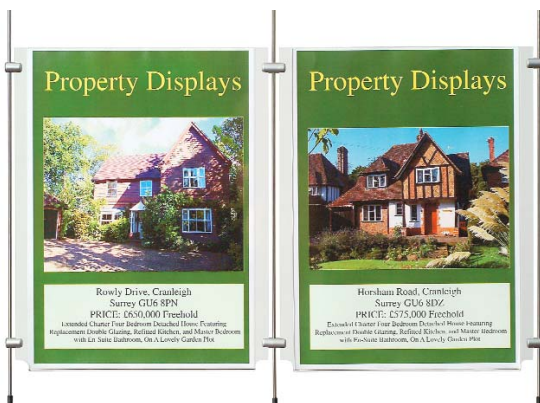
Screw-in fitting:

Item Code:	Finish:	Rod Length	Price £:
RB1	Satin Chrome	1m	6.50
RB2	Satin Chrome	2m	7.00
RB3	Satin Chrome	3m	7.50

With quick fit toggle fitting for use in channels:

Item Code:	Finish:	Rod Length	Price £:
RBT1	Satin Chrome	1m	7.00
RBT2	Satin Chrome	2m	7.50
RBT3	Satin Chrome	3m	8.00

See page 22 for channel options
See page 54 for freestanding frames



Vertical clamps

For panels up to 4mm thick

- non-removable panel clamp for panels up to 4mm thick



Item Code:	Finish:	Price £:
Single		
CG03-3	Satin Chrome	2.95
Double		
CG04-3	Satin Chrome	4.20



For panels up to 7mm thick:



Item Code:	Finish:	Price £:
CG01-3	Satin Chrome	4.10

For panels up to 12.7mm thick:



Item Code:	Finish:	Price £:
CG14-3	Satin Chrome	4.40

Horizontal bar



Horizontal 10mm bar

Item Code:	Finish:	Price £:
HR10-3	Satin Chrome	11.50

- 10mm bar designed to take 4 x 3mm rods at 244mm rod centres, which can be used with CG03-3 or CG04-4 to hold easy access pockets
- overall length 764mm
- rod centres 732mm

End caps for 10mm bar



- add two REC-10 for each horizontal bar ordered

Item Code:	Finish:	Price £:
REC-10	Satin Chrome	1.80

Multi-position clamps for panels and shelves

For panels up to 7mm thick

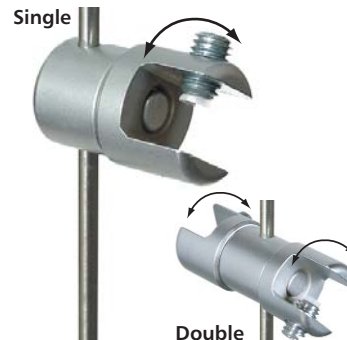
- adjustable to any angle
- can be locked into position



Item Code:	Finish:	Price £:
Single		
CG11-3	Satin Chrome	5.20
Double		
CG21-3	Satin Chrome	7.60

For panels up to 10mm thick

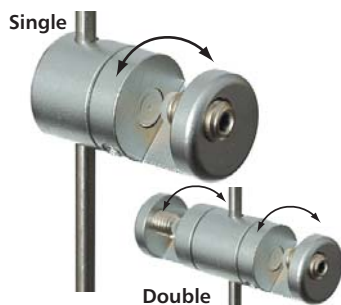
- adjustable to any angle
- can be locked into position



Item Code:	Finish:	Price £:
Single		
CG13-3	Satin Chrome	5.70
Double		
CG23-3	Satin Chrome	8.60

Clamps for wide panels

- Top/bottom supports for panels wider than the distance between cables
- adjustable to any angle
- can be locked into position



Item Code:	Finish:	Price £:
Single		
CG12-3	Satin Chrome	5.80
Double		
CG22-3	Satin Chrome	9.90

Supports for panels with holes

For panels 5-6mm thick

- hole size 6mm diameter
- supports for panels up to 20mm thick available on request

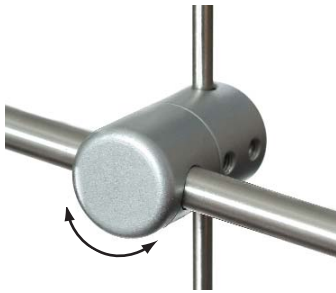


Item Code:	Finish:	Price £:
Single		
CS13-3	Satin Chrome	4.95
Double		
CS23-3	Satin Chrome	8.80

Supports - 3mm rod

Multi-position supports to hold rods

Support to hold 6mm rods



- holds **6mm** diameter rod at any angle
- rods will hold acrylic pockets, leaflet holders, banners & graphics
- can be locked into position

Item Code: Finish: Price £:
RR01-3/6 Satin Chrome 10.15

Support to hold 10mm rods



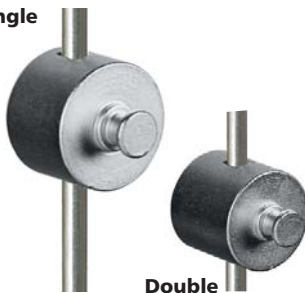
- holds **10mm** diameter rod at any angle
- can be locked into position

Item Code: Finish: Price £:
RR01-3/10 Satin Chrome 10.15

Hooks

Hook for panels up to 3mm thick with holes

Single



Double

Item Code: Finish: Price £:
Single
CH01-3 Satin Chrome 2.65
Double
CH02-3 Satin Chrome 3.45

Picture hook



- can also be used on **3mm** cable

Item Code: Finish: Price £:
CS12-3 Satin Chrome 5.80

Under-shelf support



- locates under shelf
- for shelf with **10mm** hole
- shelf is drilled
- inconspicuous

Item Code: Finish: Price £:
CS01-3 Satin Chrome 2.10

Clamp for glass shelves



For panels up to **12.7mm** thick

Item Code: Finish: Price £:
CG15-3 Satin Chrome 4.20

Rod support for 6mm rod



- for 6mm diameter rods
- rods will hold acrylic pockets, leaflet holders, banners & graphics

Item Code: Finish: Price £:
CS05-3 Satin Chrome 3.45

Supports for screw fix panels



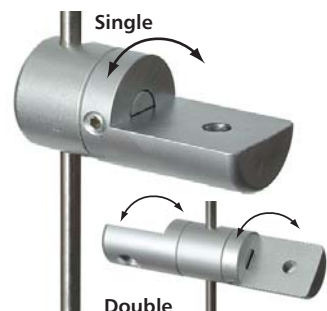
- Support for any item fitted with boss fitting P02
- perfect to support hanging rails

Item Code: Finish: Price £:
CS03-3 Satin Chrome 3.95

Item Code: Finish: Price £:
P02 Nickel 0.40

Supports for wooden or glass shelves

Shelf support



Double

- adjustable to any angle of slope
- can be locked into position
- for glass shelves add ref. P08 (see right)

Item Code: Finish: Price £:
Single
CS11-3 Satin Chrome 5.75
Double
CS21-3 Satin Chrome 9.80

Screw to retain glass shelves



- Used with CS11-3 or CS21-3 to hold **6mm** thick as standard
- flush finish
- plastic insert to protect glass
- hole **6mm** dia, **6mm** thick glass
- hole **12mm** from the edge of glass

Item Code: Finish: Price £:
P08 Satin Chrome 3.65

6mm rod - fitting options

6mm rods and end caps

Threaded rod - both ends



- 1.5m rod, left hand threaded at both ends
- rods can be joined together

Item Code:	Finish:	Price £:
R1500	Stainless steel	9.00
R1500/PC	Polished Chrome	15.60
R1500/BR	Polished Brass	15.60

Threaded rod - one end only



- 0.5m rod, left hand threaded at one end, domed at the other

Item Code:	Finish:	Price £:
R500	Stainless steel	5.50
R500/PC	Polished Chrome	9.35
R500/BR	Polished Brass	9.35

Unthreaded rod



- available in 0.5m and 1m lengths

Item Code:	Finish:	Price £:
0.5m		
R500P	Stainless steel	4.50
R500P/PC	Polished Chrome	8.35
R500P/BR	Polished Brass	8.35
1m		
R1000P	Stainless steel	7.00
R1000P/PC	Polished Chrome	12.60
R1000P/BR	Polished Brass	12.60

Rod end caps



Item Code:	Finish:	Price £:
End cap for 6mm rod		
REC	Satin Chrome	2.00
REC/PC	Polished Chrome	2.40
REC/BR	Polished Brass	2.60
Black PVC end cap for 6mm rod		
REC-P/BL	Black	0.25

Rod fitting options

Top/bottom fitting for rods



Item Code:	Finish:	Price £:
RAS	Satin Chrome	8.15
RAS/PC	Polished Chrome	10.35
RAS/BR	Polished Brass	11.20

Angled top fitting plus bottom floor fitting



- adjustable through 180°, the top fitting can be fixed to a horizontal, vertical or sloping surface

Item Code:	Finish:	Price £:
RAAS	Satin Chrome	15.50
RAAS/PC	Polished Chrome	18.60
RAAS/BR	Polished Brass	20.15

Rod ceiling fittings



Screw fit Push fit

- available as screw fit - use with threaded rod or push fit with grub screw

Item Code:	Finish:	Price £:
Screw fit		
RS	Satin Chrome	3.25
RS/PC	Polished Chrome	3.90
RS/BR	Polished Brass	4.25
Push fit		
RP	Satin Chrome	3.30
RP/PC	Polished Chrome	3.95
RP/BR	Polished Brass	4.30

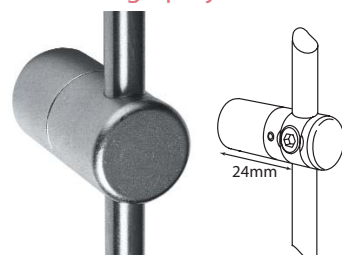
Angled fittings



- available as screw fit - use with threaded rod or push fit with grub screw
- adjustable through 180°

Item Code:	Finish:	Price £:
Screw fit		
RSA	Satin Chrome	9.50
RSA/PC	Polished Chrome	11.40
RSA/BR	Polished Brass	12.35
Push fit		
RPA	Satin Chrome	10.00
RPA/PC	Polished Chrome	12.00
RPA/BR	Polished Brass	13.00

Wall fitting - projects 24mm



- use vertical or horizontal
- use up to no.10 screw to fix

Item Code:	Finish:	Price £:
WM11	Satin Chrome	8.10
WM11/PC	Polished Chrome	9.70
WM11/BR	Polished Brass	10.55

Wall/panel fitting - projects 10mm



- use vertical or horizontal
- support to be used with Boss ref. P02
- minimum panel thickness 12mm
- use up to no. 8 screw to fix

Item Code:	Finish:	Price £:
RS03	Satin Chrome	5.80
RS03/PC	Polished Chrome	7.00
RS03/BR	Polished Brass	7.55
P02	Nickel	0.40

Full dimensions - p13

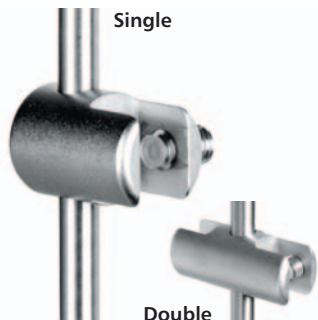
Trade and volume discounts are available - please ask



Panel clamps - 6mm rod

Vertical clamps

For panels up to 7mm thick:



Item Code:	Finish:	Price £:
Single		
RG01	Satin Chrome	5.60
RG01/PC	Polished Chrome	6.70
RG01/BR	Polished Brass	8.10
Double		
RG02	Satin Chrome	7.50
RG02/PC	Polished Chrome	9.00
RG02/BR	Polished Brass	10.30

For panels up to 7mm thick - non-removable

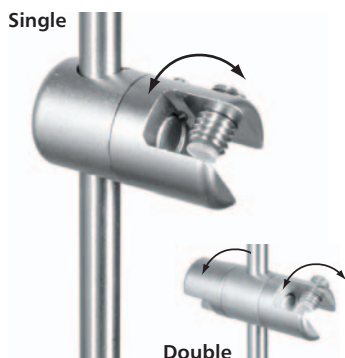
- supports signs from the side



Item Code:	Finish:	Price £:
RGN01	Satin Chrome	4.00
RGN01/PC	Polished Chrome	4.80
RGN01/BR	Polished Brass	5.20

Multi-position clamps

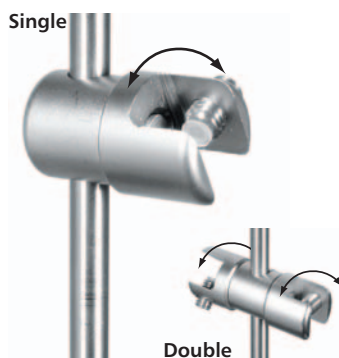
For panels up to 7mm thick:



- adjustable to any angle
- can be locked into position

Item Code:	Finish:	Price £:
Single		
RG11	Satin Chrome	6.45
RG11/PC	Polished Chrome	9.50
RG11/BR	Polished Brass	10.55
Double		
RG21	Satin Chrome	9.80
RG21/PC	Polished Chrome	11.75
RG21/BR	Polished Brass	12.75

For panels up to 10mm thick

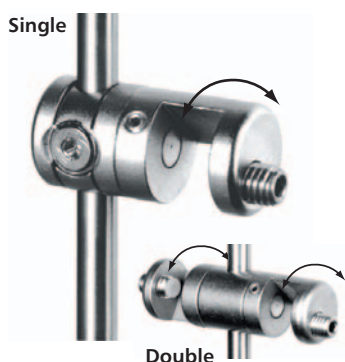


- adjustable to any angle
- can be locked into position

Item Code:	Finish:	Price £:
Single		
RG13	Satin Chrome	7.95
RG13/PC	Polished Chrome	9.55
RG13/BR	Polished Brass	10.60
Double		
RG23	Satin Chrome	12.35
RG23/PC	Polished Chrome	14.85
RG23/BR	Polished Brass	16.05

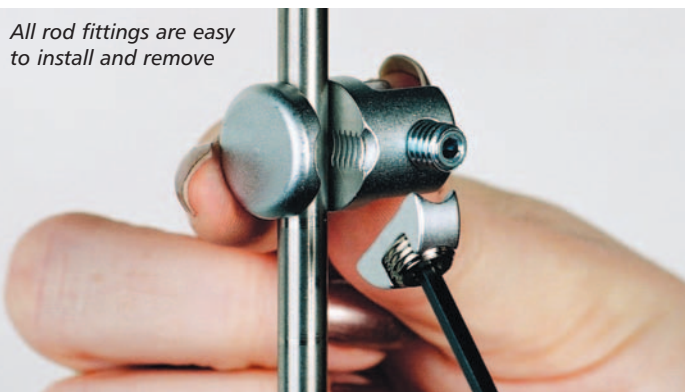
Multi-position clamps for wide panels

For panels up to 7mm thick:



- top/bottom clamps for panels wider than the distance between rods
- adjustable to any angle
- can be locked into position

Item Code:	Finish:	Price £:
Single		
RG12	Satin Chrome	6.95
RG12/PC	Polished Chrome	9.55
RG12/BR	Polished Brass	10.65
Double		
RG22	Satin Chrome	12.90
RG22/PC	Polished Chrome	15.50
RG22/BR	Polished Brass	16.75



All rod fittings are easy to install and remove

Supports for panels with holes

For panels 5-6mm thick:



- to hold standard panels **5-6mm** thick
- hole size **6mm** diameter
- supports for panels up to **20mm** thick are also available
- see ordering information on the right

Item Code:	Finish:	Price £:
Single		
RS13	Satin Chrome	7.60
RS13/PC	Polished Chrome	9.20
RS13/BR	Polished Brass	10.30
Double		
RS23	Satin Chrome	10.20
RS23/PC	Polished Chrome	13.40
RS23/BR	Polished Brass	14.45

RS13 & RS23

for extra thick panels up to 20mm, specify size required. Add £1.00 to price shown.

Ref example:
RS13/S

Full dimensions - p13

Trade and volume discounts are available - please ask



Supports - 6mm rod

Supports for screw fix panels



Support

- support for any item fitted with boss fitting P02 - see right

Item Code: Finish: Price £:

Single		
RS03	Satin Chrome	5.80
RS03/PC	Polished Chrome	7.00
RS03/BR	Polished Brass	7.55
Double		
RS04	Satin Chrome	6.95
RS04/PC	Polished Chrome	8.35
RS04/BR	Polished Brass	9.05



P02 Boss

- Boss for use with supports RS03/RS04
- use with up to No. 10 countersunk wood screw or bolt

Item Code: Finish: Price £:

P02	Nickel	0.40
------------	---------------	-------------

Sign support

For panels up to 7mm thick



- Supports signs from above

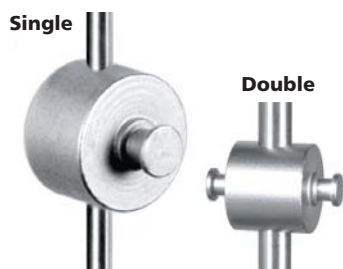
Item Code: Finish: Price £:

RG05	Satin Chrome	3.45
RG05/PC	Polished Chrome	4.15
RG05/BR	Polished Brass	4.50



Hooks

Hook for panels up to 3mm thick with holes



Item Code: Finish: Price £:

Single		
RH01	Satin Chrome	4.75
RH01/PC	Polished Chrome	5.70
RH01/BR	Polished Brass	6.10
Double		
RH02	Satin Chrome	6.00
RH02/PC	Polished Chrome	7.20
RH02/BR	Polished Brass	7.80

Picture hooks



Item Code: Finish: Price £:

Single		
RS12	Satin Chrome	8.20
RS12/PC	Polished Chrome	11.20
RS12/BR	Polished Brass	12.25
Double		
RS22	Satin Chrome	13.85
RS22/PC	Polished Chrome	17.45
RS22/BR	Polished Brass	18.75

Under-shelf support



- locates under shelf
- shelf requires 10mm diameter hole
- non-removable support

Item Code: Finish: Price £:

Single		
RS01	Satin Chrome	2.60
RS01/PC	Polished Chrome	3.10
RS01/BR	Polished Brass	3.40



Full dimensions - p13

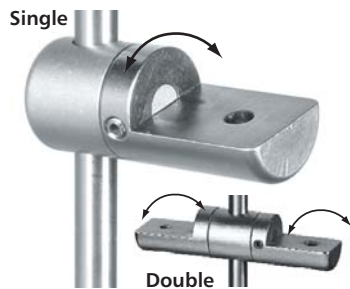
Trade and volume discounts are available - please ask

Polished Chrome:  Polished Brass: 

Shelf supports - 6mm rod

Supports for wooden or glass shelves

Shelf support



- adjustable to any angle of slope
- can be locked into position
- for glass shelves add ref. P08 (see right)

Item Code:	Finish:	Price £:
Single		
RS11	Satin Chrome	6.75
RS11/PC	Polished Chrome	9.85
RS11/BR	Polished Brass	10.95
Double		
RS21	Satin Chrome	10.80
RS21/PC	Polished Chrome	14.40
RS21/BR	Polished Brass	15.75

Screw to retain glass shelves

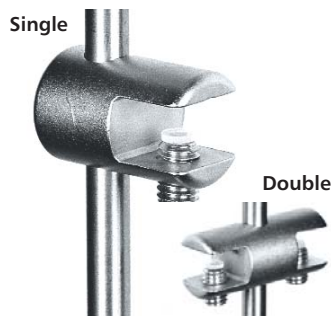


- Used on on RS11 or RS21 to hold **6mm** thick as standard
- flush finish
- plastic insert to protect glass
- hole **6mm** dia, **6mm** thick glass
- hole **12mm** from edge of glass

Item Code:	Finish:	Price £:
P08	Satin Chrome	3.65
P08/PC	Polished Chrome	4.65
P08/BR	Polished Brass	4.90

Clamps for glass shelves and panels

Clamp for glass shelves up to 7mm thick



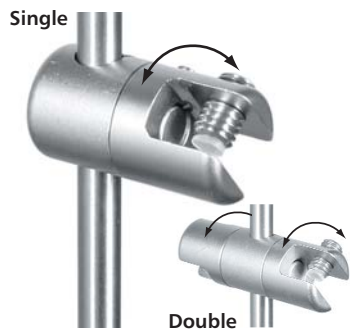
- for glass shelves without holes

Item Code:	Finish:	Price £:
Single		
RG06	Satin Chrome	5.40
RG06/PC	Polished Chrome	6.50
RG06/BR	Polished Brass	7.30
Double		
RG07	Satin Chrome	7.50
RG07/PC	Polished Chrome	9.00
RG07/BR	Polished Brass	9.75



Multi-position clamps for glass shelves and panels

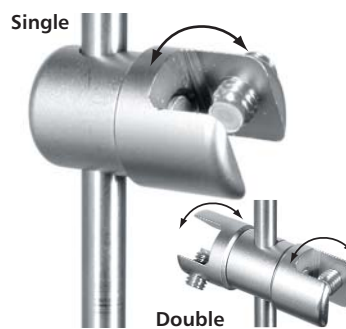
Multi-position clamp for glass shelves and panels up to 7mm thick



- adjustable to any angle
- can be locked into position

Item Code:	Finish:	Price £:
Single		
RG11	Satin Chrome	6.45
RG11/PC	Polished Chrome	9.50
RG11/BR	Polished Brass	10.55
Double		
RG21	Satin Chrome	9.80
RG21/PC	Polished Chrome	11.75
RG21/BR	Polished Brass	12.75

Multi-position clamp for glass shelves and panels up to 10mm thick



- adjustable to any angle
- can be locked into position

Item Code:	Finish:	Price £:
Single		
RG13	Satin Chrome	7.95
RG13/PC	Polished Chrome	9.55
RG13/BR	Polished Brass	10.60
Double		
RG23	Satin Chrome	12.35
RG23/PC	Polished Chrome	14.85
RG23/BR	Polished Brass	16.05

Supports to hold rods

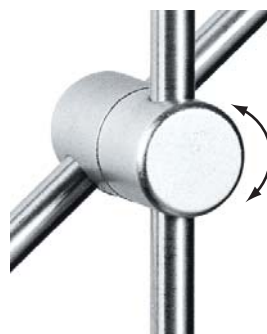
Rod support



- for **6mm** diameter rods
- rods will hold acrylic pockets, leaflet holders, banners & graphics etc

Item Code:	Finish:	Price £:
Single		
RS05	Satin Chrome	5.40
RS05/PC	Polished Chrome	6.50
RS05/BR	Polished Brass	7.00
Double		
RS06	Satin Chrome	7.50
RS06/PC	Polished Chrome	9.00
RS06/BR	Polished Brass	9.75

Rod support - Multi-position



- to hold **6mm** rod
- support for rods at any angle
- can be locked into position

Item Code:	Finish:	Price £:
RR01	Satin Chrome	10.15
RR01/PC	Polished Chrome	12.20
RR01/BR	Polished Brass	13.10

Full dimensions - p13

Trade and volume discounts are available - please ask



10mm rod - fitting options

10mm threaded rod

Threaded rod - both ends



- 10mm rod, right hand threaded
- available in .5m, 1m and 1.5m lengths

Item Code:	Finish:	Price £:
R1500-10	Stainless steel	12.80
R1000-10	Stainless steel	10.50
R500-10	Stainless steel	7.65

Rod end caps



Item Code:	Finish:	Price £:
REC-10	Satin Chrome	1.80

Rod fitting options

Top/bottom fitting



Item Code:	Finish:	Price £:
RAS-10	Satin Chrome	8.50

Ceiling fitting



- screw fix for use with threaded rod

Item Code:	Finish:	Price £:
RS-10	Satin Chrome	3.75

Wall mounted fittings - vertical or horizontal

- wall mounted fixing to hold the rod **27mm** from the wall



Item Code:	Finish:	Price £:
WM11-10	Satin Chrome	8.60

- wall mounted fixing to hold the rod **50mm** from the wall
- ideal for use with narrow shelves



Item Code:	Finish:	Price £:
WM11L-10	Satin Chrome	8.90

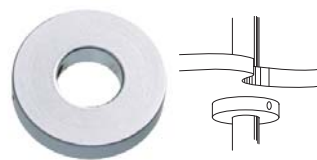
In-line connector



- allows a 6mm horizontal rod to be fitted flush to the vertical 10mm rod

Item Code:	Finish:	Price £:
RC10-6	Satin Chrome	1.95

Decorative cover disc - thread through



- can be used with any standard 6mm or 10mm diameter rod
- use below false ceiling to hide hole, giving a professional finish

Item Code:	Finish:	Price £:
CD-10	Satin Chrome	1.55

Extra strong ceiling/wall fitting



- heavy duty ceiling/wall support with 3 screw holes for extra secure fixing

Item Code:	Finish:	Price £:
HDS	Satin Chrome	3.85

Decorative support plate



- can be used with any standard ceiling fitting or wall mount

Item Code:	Finish:	Price £:
P01-PC01	Satin Chrome	2.95

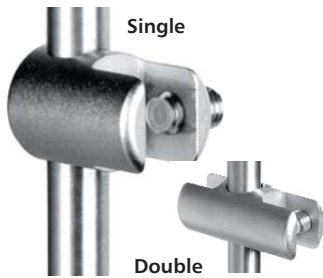
NB: All 10mm rod fittings shown here are NON-REMOVABLE and are threaded onto the rod at the time of installation
Trade and volume discounts are available - please ask

Full dimensions - p13

Panel clamps - 10mm rod

Vertical clamps

For panels up to 7mm thick:



Item Code:	Finish:	Price £:
Single		
RG01-10	Satin Chrome	5.75
Double		
RG02-10	Satin Chrome	7.60

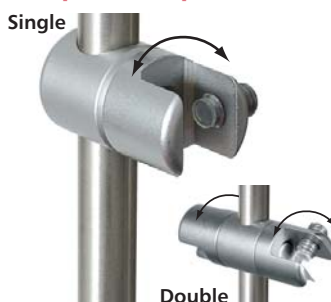
For panels up to 12.7mm thick:



Item Code:	Finish:	Price £:
RG14-10	Satin Chrome	5.95

Multi-position clamps

For panels up to 7mm thick:



- adjustable to any angle
- can be locked into position

Item Code:	Finish:	Price £:
Single		
RG11-10	Satin Chrome	6.95
Double		
RG21-10	Satin Chrome	9.90

For panels up to 10mm thick

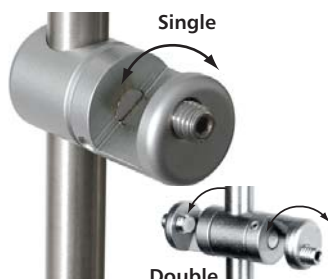


- adjustable to any angle
- can be locked into position

Item Code:	Finish:	Price £:
Single		
RG13-10	Satin Chrome	8.40
Double		
RG23-10	Satin Chrome	12.40

Multi-position clamps for wide panels

For panels up to 7mm thick

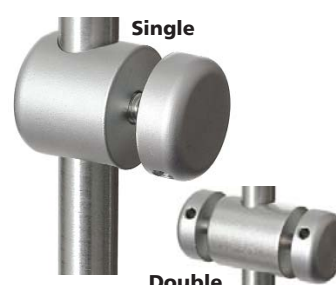


- top/bottom supports for panels wider than the distance between rods
- adjustable to any angle
- can be locked into position

Item Code:	Finish:	Price £:
Single		
RG12-10	Satin Chrome	7.45
Double		
RG22-10	Satin Chrome	12.95

Supports for panels with holes

For panels 5-6mm thick



- hole size **6mm** diameter
- to hold standard panels **5-6mm** thick
- for extra thick panels up to 20mm, specify size required. Add £1.00 to price shown

Item Code:	Finish:	Price £:
Single		
RS13-10	Satin Chrome	7.90
Double		
RS23-10	Satin Chrome	10.25

Hooks

Hook for panels up to 3mm thick with holes



Item Code:	Finish:	Price £:
Single		
RH01-10	Satin Chrome	4.95
Double		
RH02-10	Satin Chrome	6.10

Picture hook



Item Code:	Finish:	Price £:
RS12-10	Satin Chrome	8.50

NB: All 10mm rod fittings shown here are NON-REMOVABLE and are threaded onto the rod at the time of installation
Trade and volume discounts are available - please ask

Full dimensions - p13

Supports - 10mm rod

Supports for wooden or glass shelves

Shelf support



- adjustable to any angle of slope
- can be locked into position
- for glass shelves add ref. P08 (see right)

Item Code:	Finish:	Price £:
Single		
RS11-10	Satin Chrome	6.95
Double		
RS21-10	Satin Chrome	10.90

Screw to retain glass shelves

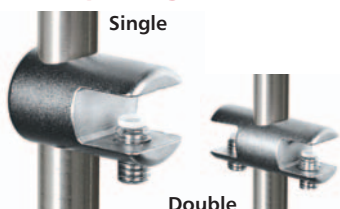


- Used on on RS11-10 or RS21-10 to hold **6mm** thick as standard
- flush finish
- plastic insert to protect glass
- hole **6mm** dia, **6mm** thick glass
- hole **12mm** from the edge of glass

Item Code:	Finish:	Price £:
P08	Satin Chrome	3.65

Clamp for glass shelves and panels

Clamp for glass shelves up to 7mm thick

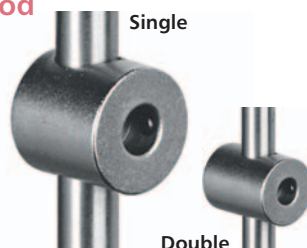


- for glass shelves without holes

Item Code:	Finish:	Price £:
Single		
RG06-10	Satin Chrome	5.90
Double		
RG07-10	Satin Chrome	7.60

Supports to hold rods

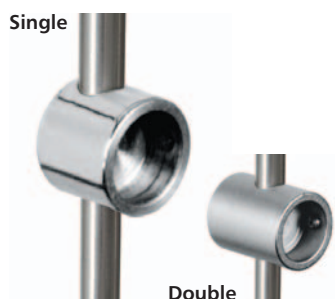
Rod support for 6mm rod



- to take **6mm** diameter rods
- rods will hold acrylic pockets, leaflet holders, banners & graphics

Item Code:	Finish:	Price £:
Single		
RS05-10	Satin Chrome	5.75
Double		
RS06-10	Satin Chrome	7.60

Supports for screw fix panels



Support

- support for any item fitted with boss fitting P02 - see right

Item Code:	Finish:	Price £:
Single		
RS03-10	Satin Chrome	5.90
Double		
RS04-10	Satin Chrome	7.05



P02 Boss

- Boss for use with supports RS03-10/RS04-10
- use with up to No. 10 countersunk wood screw or bolt

Item Code:	Finish:	Price £:
P02	Nickel	0.40

Multi-positional supports to hold rods

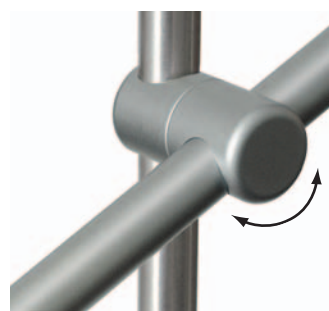
Support to hold 6mm rods



- to hold **6mm** diameter rods
- rods will hold acrylic pockets, leaflet holders, banners & graphics etc

Item Code:	Finish:	Price £:
RR01/6-10	Satin Chrome	10.40

Support to hold 10mm rods



- to hold **10mm** rod
- support for rods at any angle
- can be locked into position

Item Code:	Finish:	Price £:
RR01-10	Satin Chrome	10.40

NB: All 10mm rod fittings shown here are NON-REMOVABLE and are threaded onto the rod at the time of installation
Trade and volume discounts are available - please ask

Full dimensions - p13

Component measurements

All measurements are in millimetres unless stated

L=Length W=Width H=Height Ø=Diameter D=Depth Int=Internal

Item code:	Allen key:	Dimensions:	Item code:	Allen key:	Dimensions:	Item code:	Allen key:	Dimensions:
AC		W=19; H=11.5	CS12-3	●●	H=27; D=26; Ø=16	RG23	●●	L=46; Ø=18
ACD		W=28; H=11	CS13	●●	L=21.5; Ø=16	RG23-10	●●●	L=50; Ø=18
ACL		W=19; H=11.5	CS13-3	●●	L=23.5; Ø=16	RGN01	●	L=25; Ø=16
C2		2m cable; top fitting Ø=16	CS21	●●	L=64; Ø=16	RH01	●	L=19; Ø=16
C2A4F	●●	Top fitting Ø=18; floor fitting Ø=15	CS21-3	●●	L=64; Ø=16	RH01-10	●	L=23; Ø=18
C2CW-15	●●	Wall brackets Ø=38; 40mm from wall to back cable; floor fitting Ø=16	CS22	●	H=28; D=21.2; Ø=16	RH02	●	L=24; Ø=16
C2CW-30	●●	Wall brackets Ø=38; 40mm from wall to back cable; floor fitting Ø=16	CS23	●●	L=35; Ø=16	RH02-10	●	L=28; Ø=18
C2WF-15	●●	Wall brackets Ø=38; 40mm from wall to back cable; floor fitting Ø=15	CS23-3	●●	L=37; Ø=16	RP	●	Ø=18
C2WF-30	●●	Wall brackets Ø=38; 40mm from wall to back cable; floor fitting Ø=15	CWF	●	3m cable; projects 40 from wall; floor fitting Ø=15	RPA	●●	Ø=15
C2WW-15	●●	Wall brackets Ø=38; 40mm from wall to back cable	CWW	●	3m cable; projects 40 from wall; fitting plate Ø=38	RR01	●●	L=31; Ø=16
C2WW-30	●●	Wall brackets Ø=38; 40mm from wall to back cable	HDS		D=15; Ø=50	RR01-10	●●	L=40; Ø=18
CA4	●	4m cable; top fitting Ø=16; bottom fitting Ø=15	HR10-3	●	L=790; Ø=10	RR01-3/10	●●●	L=33; Ø=18
CA4-3	●	Top fitting Ø=16; bottom fitting Ø=15	KC2-CG05	●●	Top fitting Ø=16; support Ø=23	RR01-3/6	●●●	L=29; Ø=16
CAA	●●	4m cable; fittings Ø=38	KC2-CG05-10	●●●	Top fitting Ø=16;	RR01-6/10	●●●	L=56; Ø=18
CAF	●●	4m cable; top bracket Ø=38; floor fitting Ø=15	KMDB/SI	●	H=350; D=350; cables/rods project 40mm & 340mm from wall	RS		Ø=18
CAT	●	Weight 100H x 30Ø; weighs 0.55kg	KMSB-25/SI		H=30; Ø=35; cable fitting 25mm from wall	RS01	●	D=11; Ø=16
CCT	●	Weight 100H x 30Ø; weighs 0.55kg	KMSB/SI		H=60; Ø=60; cable fitting 50mm from wall	RS03	●●	L=17.5; Int Ø=12; Int D=6; Ø=16
CCW	●	3m cable; top fitting Ø=16; projects 40 from wall	KMSB-100/SI		H=110; Ø=110; cable fitting 100mm from wall	RS03-10	●●	L=22; Ø=18
CD-4	●	W=5; Ø=25	P01		Ø=38	RS04	●●	L=21; Int Ø=12; Int D=6; Ø=16
CD-10	●	W=5; Ø=25	P01-PC01		H=15; Ø=38	RS04-10	●●	L=26; Ø=18
CG01	●	L=20; Ø=16	P02		Ø=12; D=6	RS05	●●	L=17; Ø=16
CG01-3	●●	L=21; Ø=16	P08	●	H=8; Ø=16	RS05-10	●●	L=22; Ø=18
CG02	●	L=32; Ø=16	PC01/I		L=12; Ø=16	RS06	●●	L=20; Ø=16
CG03	●	L=15; Ø=10	PC31		L=18	RS06-10	●●	L=26; Ø=18
CG03-3	●	L=15; Ø=10	PR01-I		L=12; Ø=16	RS08	●●	L=18; Ø=16
CG04	●	L=22; Ø=10	R1000-10		L=1000; Ø=10	RS-10	●	L=22; Ø=20
CG04-3	●	L=22; Ø=10	R1000P		L=1000; Ø=6	RS11	●●	L=39; Ø=16
CG06	●	L=20; Ø=16	R1500		L=1500; Ø=6	RS11-10	●●	L=43; Ø=18
CG07	●	L=32; Ø=16	R1500-10		L=1500; Ø=10	RS12	●	H=28; D=18.1; Ø=16
CG08	●	L=31; Ø=21; 8.5mm Ø hole required 15mm from edge of panel	R500		L=500; Ø=6	RS12-10	●●	L=20; Ø=18
CG09	●	L=22; Ø=16	R500-10		L=500; Ø=10	RS13	●●	L=25; Ø=16
CG11	●●	L=27; Ø=16	R500P		L=500; Ø=6	RS13-10	●	L=30; Ø=18
CG11-3	●●●	L=28; Ø=16	RAAS	●●	Top fitting Ø=15; bottom fitting Ø=18	RS21	●●	L=64; Ø=16
CG12	●●	L=30; Ø=18	RAS	●	Top & bottom fitting Ø=18	RS21-10	●●	L=68; Ø=18
CG12-3	●●●	L=31; Ø=18	RAS-10		Top fitting Ø=20; Bottom fitting Ø=22	RS22	●●	L=30; D=24.2; Ø=16
CG13	●●	L=27; Ø=18	RB1		1m rod; top fitting Ø=16	RS23	●●	L=38; Ø=16
CG13-3	●●●	L=28; Ø=18	RB2		2m rod; top fitting Ø=16	RS23-10	●	L=38; Ø=18
CG14	●	L=20; Ø=20.5	RB3		3m rod; top fitting Ø=16	RSA	●	Ø=15
CG14-3	●●	L=21; Ø=20.5	RBCF3		3m rod; top fitting Ø=16; bottom fitting Ø=15	WM01	●●	L=30
CG15	●	L=20; Ø=20.5	RBT1		1m rod; top fitting Ø=16	WM02	●●	L=30
CG15-3	●●	L=20.5; Ø=21	RBT2		2m rod; top fitting Ø=16	WM03	●	L=16
CG21	●●	L=46; Ø=16	RBT3		3m rod; top fitting Ø=16	WM04	●	L=16
CG21-3	●●●	L=46; Ø=16	RBTf3		3m rod; top fitting Ø=16; bottom fitting Ø=15	WM05-13	●	L=25; Ø=16
CG22	●●	L=52; Ø=18	RC10-6	●	L=25; Ø=10	WM05L-20	●	L=40; Ø=16
CG22-3	●●●	L=52; Ø=18	REC	●	L=16; Ø=12	WM06		L=19; Ø=16
CG23	●●	L=46; Ø=18	REC-10		L=15; Ø=10	WM07	●	L=28; Ø=16
CG23-3	●●●	L=46; Ø=18	REC-P/BL		L=17; Ø=8.5	WM08	●	L=32; Ø=16
CH01	●	L=16; Ø=16	RG01	●	L=25; Ø=16	WM09	●●	L=31; Ø=16
CH01-3	●	L=17; Ø=16	RG01-10	●●	L=29; Ø=18	WM10	●	L=39; Ø=16; 24mm from wall
CH02	●	L=24; Ø=16	RG02	●	L=36; Ø=16	WM11	●●	L=31; Ø=16
CH02-3	●	L=24; Ø=16	RG02-10	●●	L=40; Ø=18	WM11-10	●●	L=36; Ø=18
CQQ	●	2m Cable; top and bottom fitting Ø=16	RG05	●●	L=16; Ø=16	WM11L-10	●●	L=59; Ø=18
CS01	●	D=11; Ø=16	RG06	●●	L=25; Ø=16	WM12	●	L=20; Ø=12
CS01-3	●	D=11; Ø=16	RG06-10	●●	L=29; Ø=18	WM15	●	L=25; Ø=25
CS03	●●	L=14; Int Ø=12; Int D=6; Ø=16	RG07	●	L=36; Ø=16	WM16	●	L=50; Ø=25
CS03-3	●●●	L=15; Int Ø=12; Int D=6; Ø=16	RG07-10	●●	L=40; Ø=18	WM17	●	L=75; Ø=25
CS04	●●	L=20; Int Ø=12; Int D=6; Ø=16	RG11	●●	L=30; Ø=16	WM18	●	L=25; Ø=16
CS05	●●	L=14; Ø=16	RG11-10	●●●	L=34; Ø=18	WM19		Ø=16
CS05-3	●●	L=15; Ø=16	RG12	●●	L=33; Ø=18	WM20	●	Ø=25; D=5.5
CS06	●●	L=20; Ø=16	RG12-10	●●●	L=37; Ø=18	WMS-2		D=2
CS07	●●	L=28; Ø=16	RG13	●●	L=30; Ø=18	WMS-3		D=3
CS08	●●	L=12; Ø=12	RG13-10	●●●	L=34; Ø=18	ALLEN KEYS:		
CS08-3	●●	L=16; Ø=16	RG14-10	●●●	L=29; Ø=20.5	To see which allen key each component requires, check the colour code in the list above against the grid below:		
CS09	●	L=17; Ø=16	RG21	●●	L=46; Ø=16	AK1.5	1.5mm	●
CS11	●●	L=36; Ø=18	RG21-10	●●●	L=68; Ø=16	AK2.0	2.0mm	●
CS11-3	●●●	L=37; Ø=18	RG22	●●	L=52; Ø=18	AK2.5	2.5mm	●
CS12	●	H=28; D=14.6; Ø=16	RG22-10	●●●	L=56; Ø=18	AK3.0	3.0mm	●
						AK4.0	4.0mm	●
						AK5.0	5.0mm	●
						AK6.0	6.0mm	●

create the perfect display for

Wall mounted...



Signage suspended from the ceiling...



Floor-to-ceiling creativity...



Versatile cable and rod systems that allow you to create exactly the display you want.

you...

Freestanding displays



Add low voltage lighting



Add movement...

and watch your sales increase



Floating multi-media presentations...



The very latest digital displays will add sound and movement to your displays...and increase sales too...

Add flexibility to your display with channel...



Incredibly slim, bright light boxes create maximum impact...



Ultra-bright, slim light boxes can be suspended or wall mounted... used on their own or combined with other displays...

